

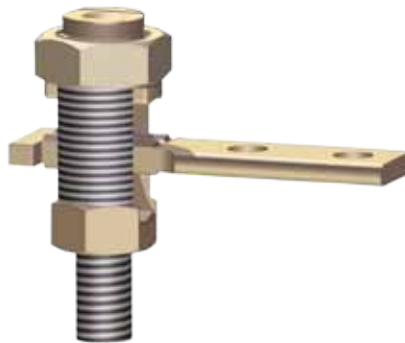
TYPE SB

HandyBug™ Connector

Tap, Splice or Terminate

The HandyBug™ connector is an “all-in-one” electrical connector that can be used for dozens of different power or grounding connection applications. This new connector is the “survival tool” of electrical connections and can be used as a splice, tap, terminal, wire to pipe, wire to busbar, and many other options. The HandyBug™ incorporates the features and benefits of dozens of different products. Available in two sizes, these connectors accommodate from #8 AWG Solid to 1/0 AWG Stranded.

Ideal for emergency repairs, maintenance crews and technicians, and an essential part of every electrician’s basic supplies. cULus Listed. Acceptable for direct burial in earth and concrete.



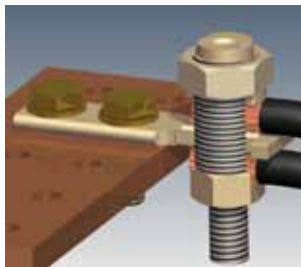
Traditional Split Bolt Option



Splice Connection



Terminate 1 or 2 Wires

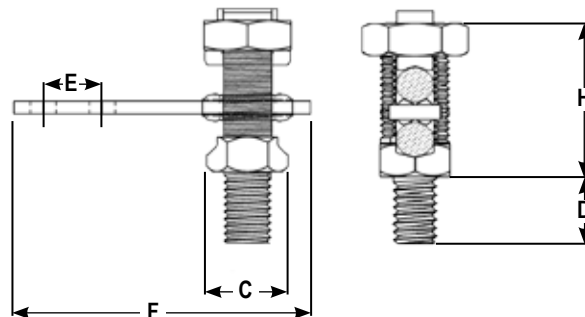


Wire to Pipe or Steel



Features & Benefits

- Power or Grounding and Bonding Applications
- Can be used to terminate wires to bus bars or steel
- Can be used for splicing and tap connections
- No special tooling required
- UL Listed for the US and Canadian markets (cULus: UL467 & UL486A/B)
- Rated for Direct Burial
- Tin plated
- Industry standard mounting hole configurations



Catalog Number	Stranded	Solid	Stud Diameter	C	H	D	E	F
SB232TC14	8 AWG - 2 AWG	8 AWG - 2 AWG	3/8 - 16	0.72 [18]	1.44 [37]	0.63 [16]	0.63	2.84
SB232TC38	8 AWG - 2 AWG	8 AWG - 2 AWG	3/8 - 16	0.72 [18]	1.44 [37]	0.63 [16]	1.00	2.84
SB23U*	8 AWG - 2 AWG	8 AWG - 2 AWG	3/8 - 16	0.72 [18]	1.44 [37]	0.63 [16]	N/A	2.84
SB252TC14	2 AWG - 1/0 AWG	2 AWG - 1/0 AWG	1/2 - 13	0.87 [22]	1.68 [43]	0.75 [19]	0.63	3.15
SB252TC38	2 AWG - 1/0 AWG	2 AWG - 1/0 AWG	1/2 - 13	0.87 [22]	1.68 [43]	0.75 [19]	1.00	3.15
SB25U*	2 AWG - 1/0 AWG	2 AWG - 1/0 AWG	1/2 - 13	0.87 [22]	1.68 [43]	0.75 [19]	N/A	3.15

* Suffix U denotes undrilled version, not cULus Listed.